

**CONSTRUCTION GUIDE** (FREE EDITION)

**ANITA**

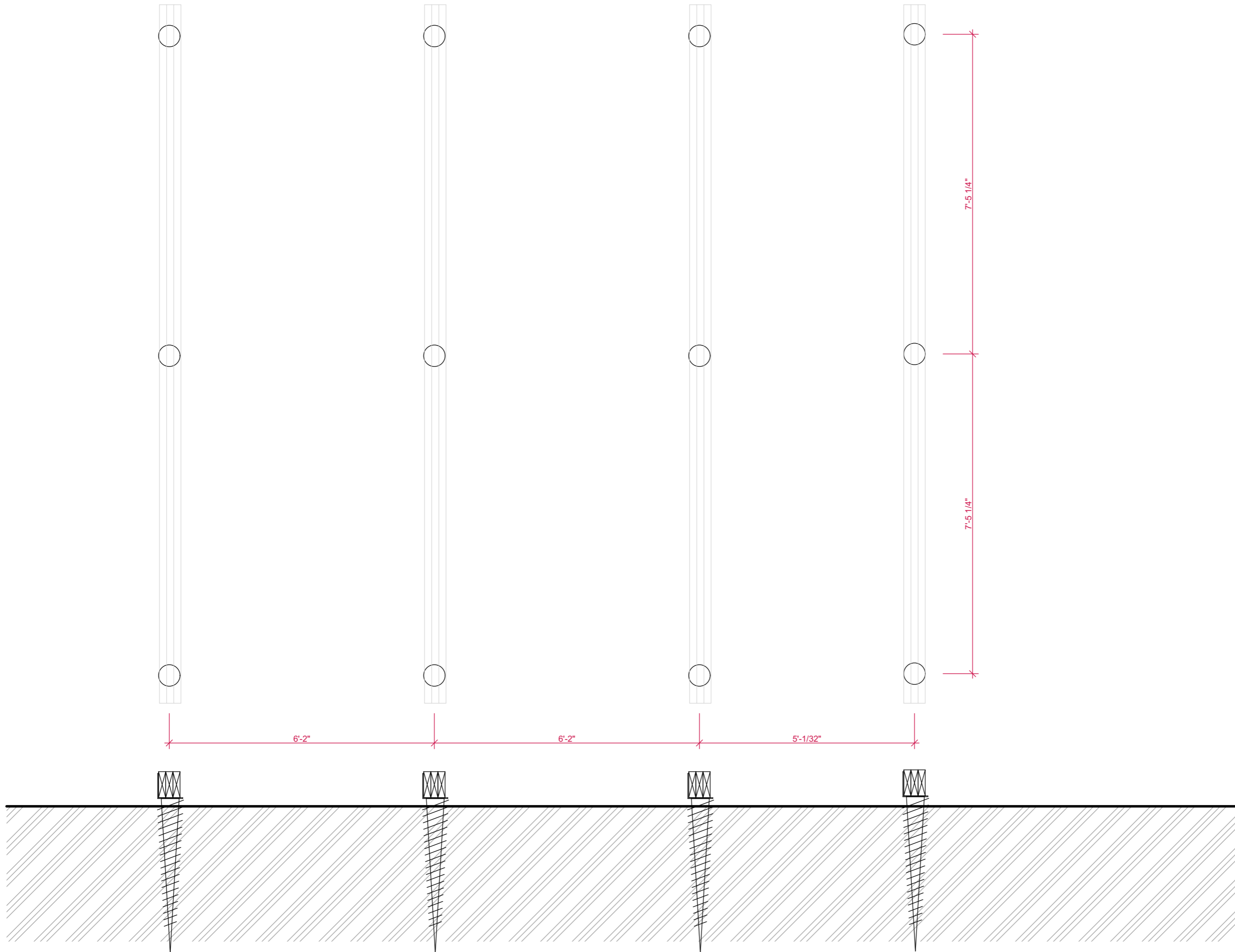


# Compare our Free vs. Premium plans

*(\*) - Partial dimensions in Free Edition*

Features	Free Edition	Premium Edition
Foundation Plans	✓	✓
Floor Plans	✓	✓
Cross Sections (*)	✓	✓
Elevations (*)	✓	✓
Drain & Water Schema	✓	✓
Electrical Wiring & Installation	✗	✓
Step-by-Step Construction Process	✗	✓
Full Materials & Cutting List	✗	✓
Metal Fasteners & Nails	✗	✓
Tools List	✗	✓
DWG Set of Plans	✗	✓
Technical Support	✗	✓
Plan Modification Services	✗	✓

Check out in detail the benefits of our Premium plans

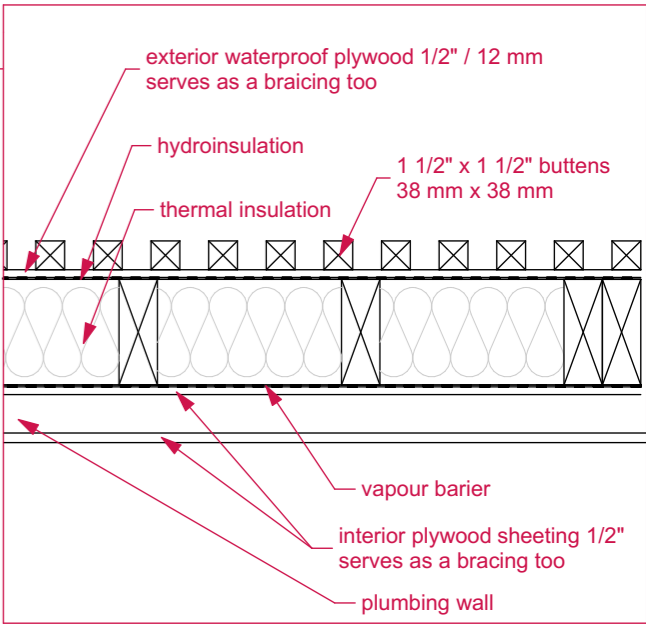
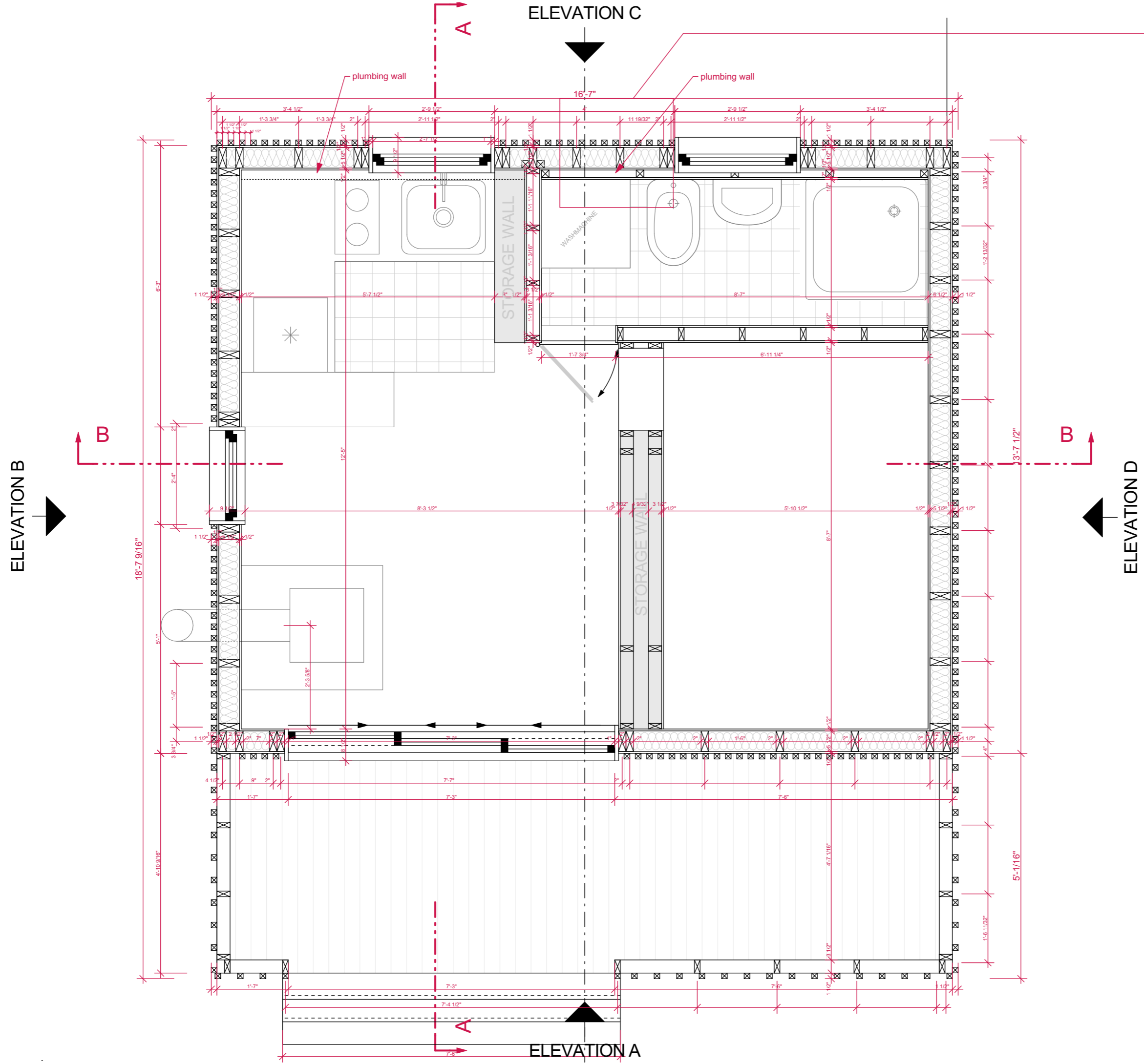


FOUNDATION INCHES  
1:25

(FREE EDITION)

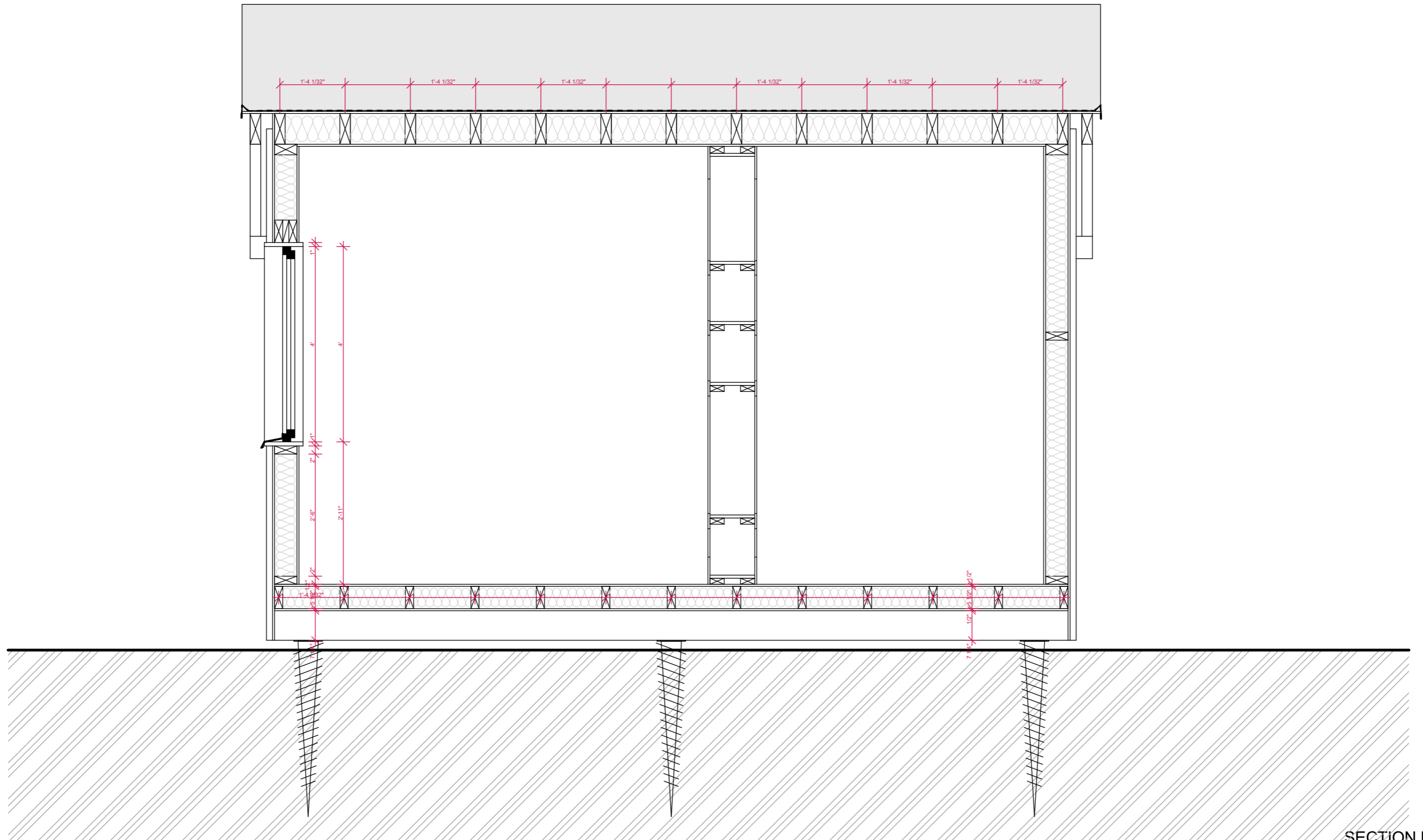
**PIUPH**

Joshua Woodman  
www.piuph.com



LAYOUT INCHES  
**1:25, 1:10**  
 (FREE EDITION)





SECTION B INCHES  
**1:25**

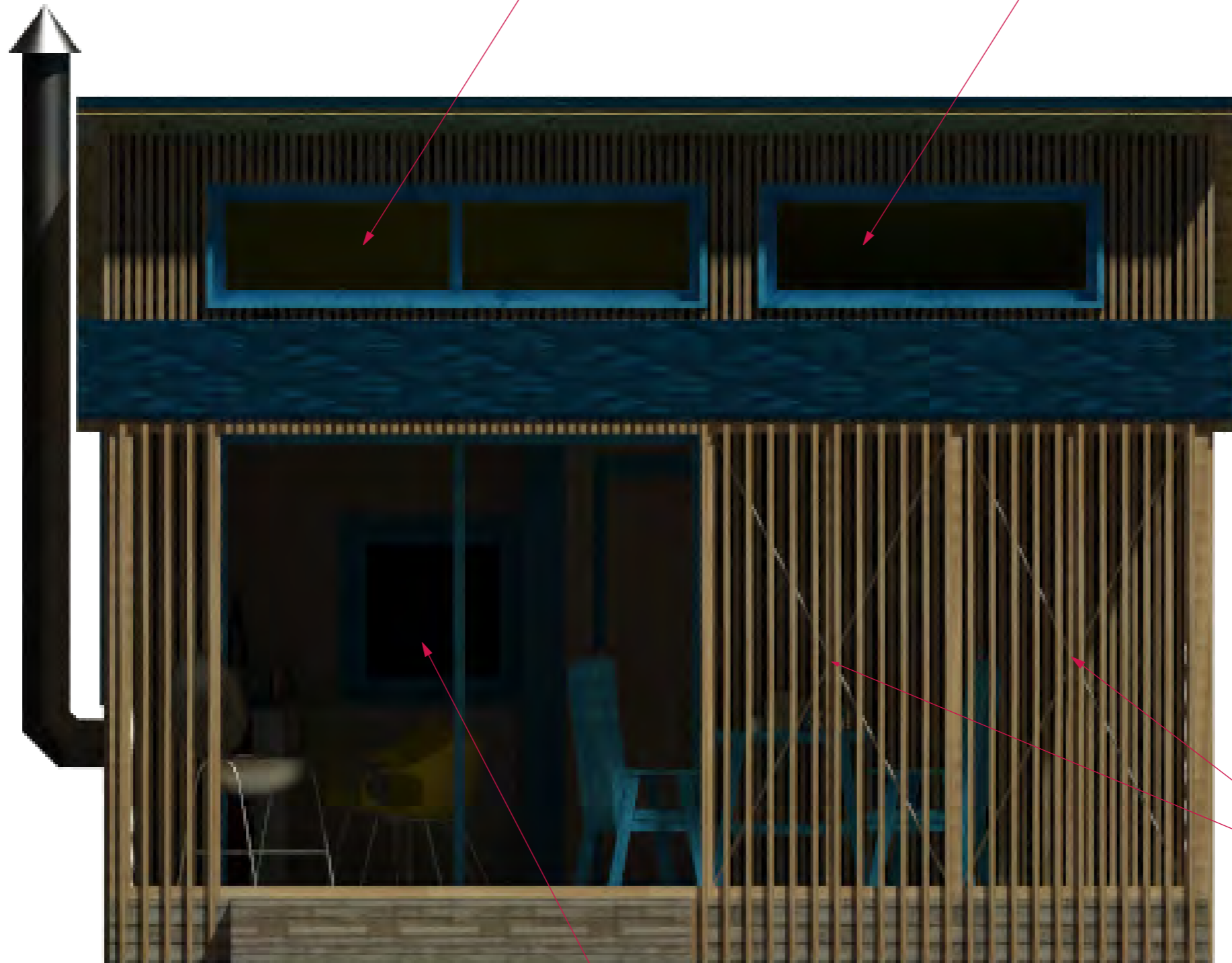
(FREE EDITION)

**PIPTA**  
 Joshua Woodman  
 www.piptaphouses.com

OPENINGS

WINDOW 7' 3" x 1'-8"

WINDOW 5' x 1'-8"



PORCH STEEL BRACING

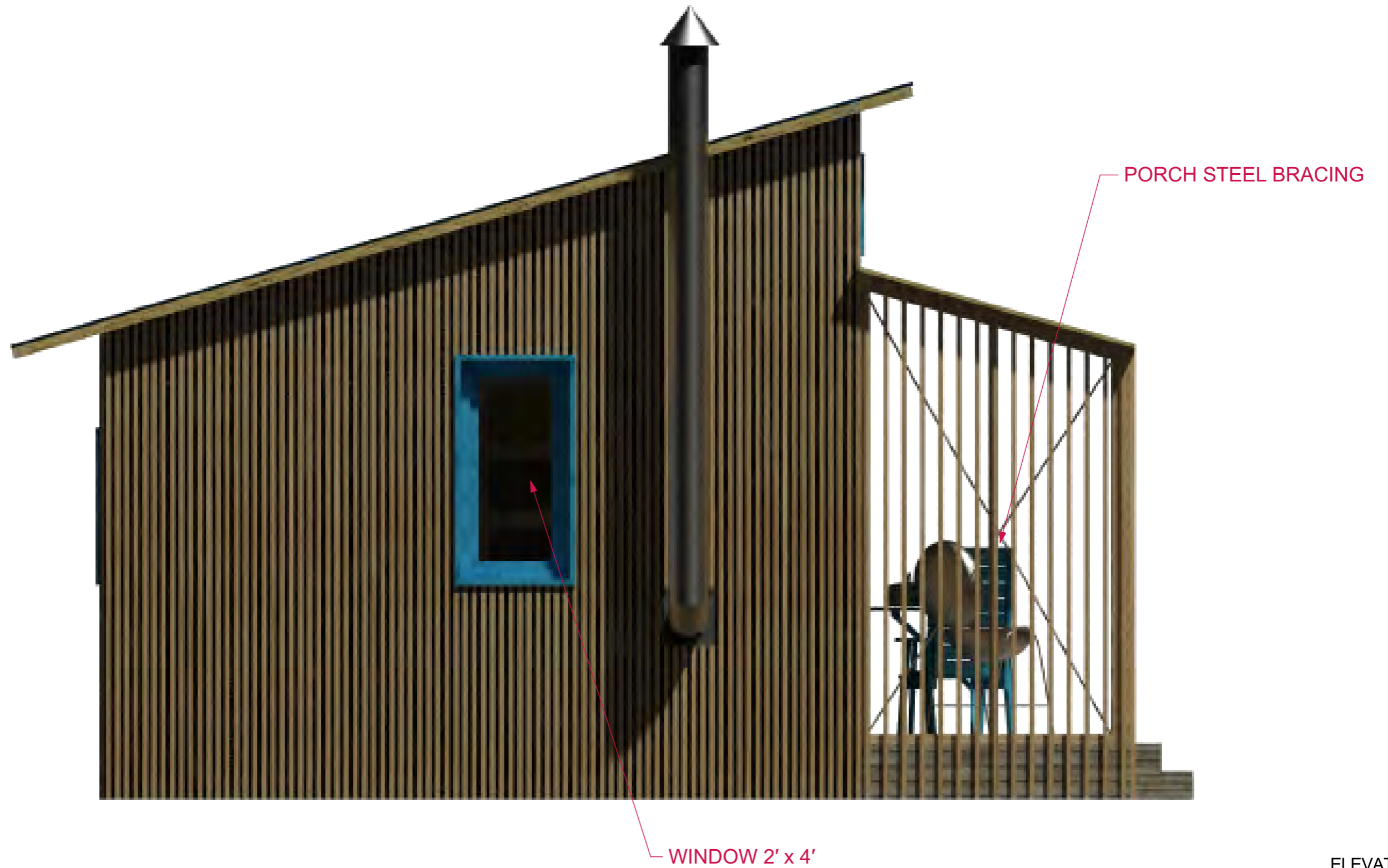
SLIDING DOOR 7' 3" x 6'-10 1/2"

ELEVATION A

(FREE EDITION)

**PIUPHOTOS**  
Joshua Woodsman  
www.piuphotos.com

OPENINGS



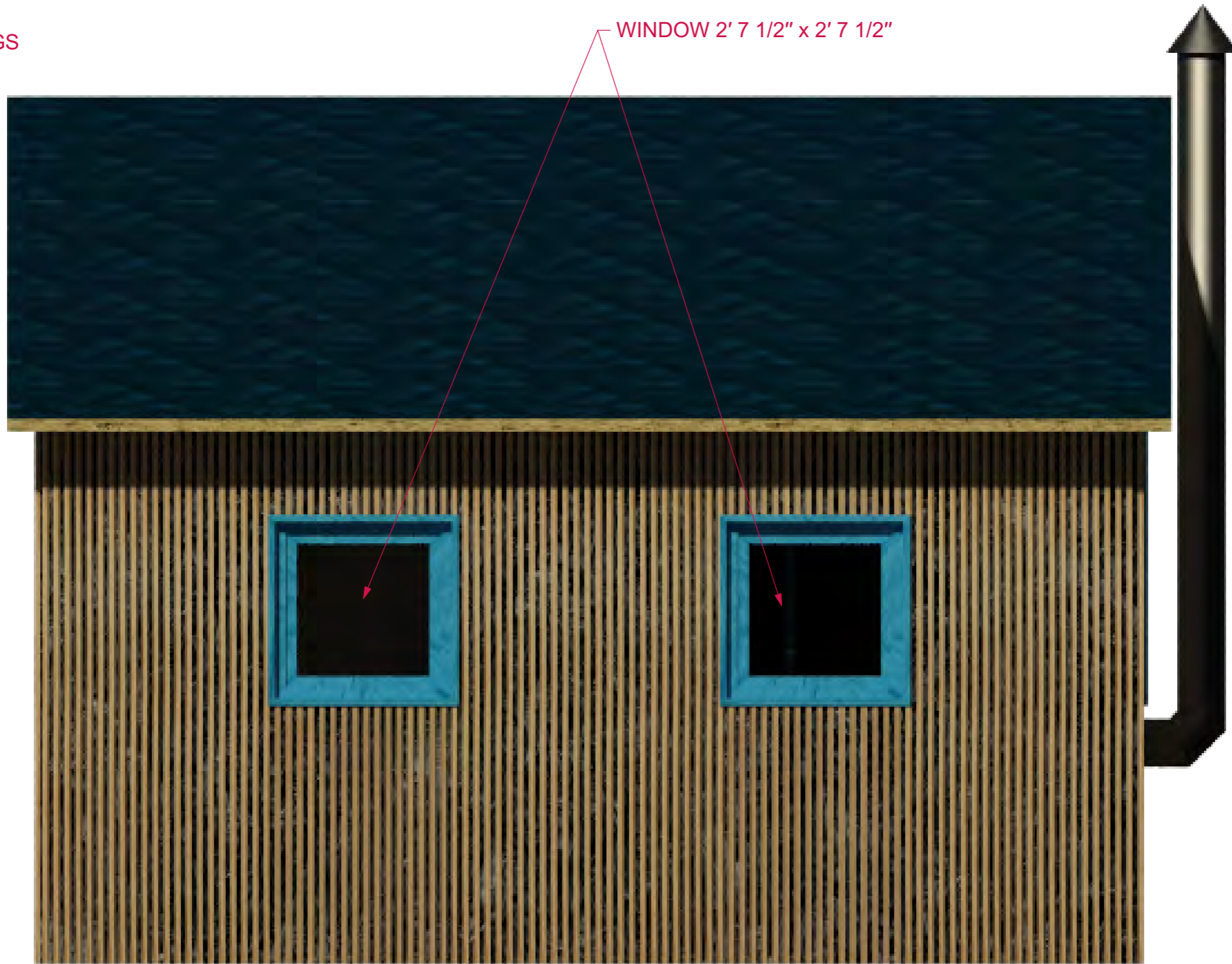
ELEVATION B

(FREE EDITION)



OPENINGS

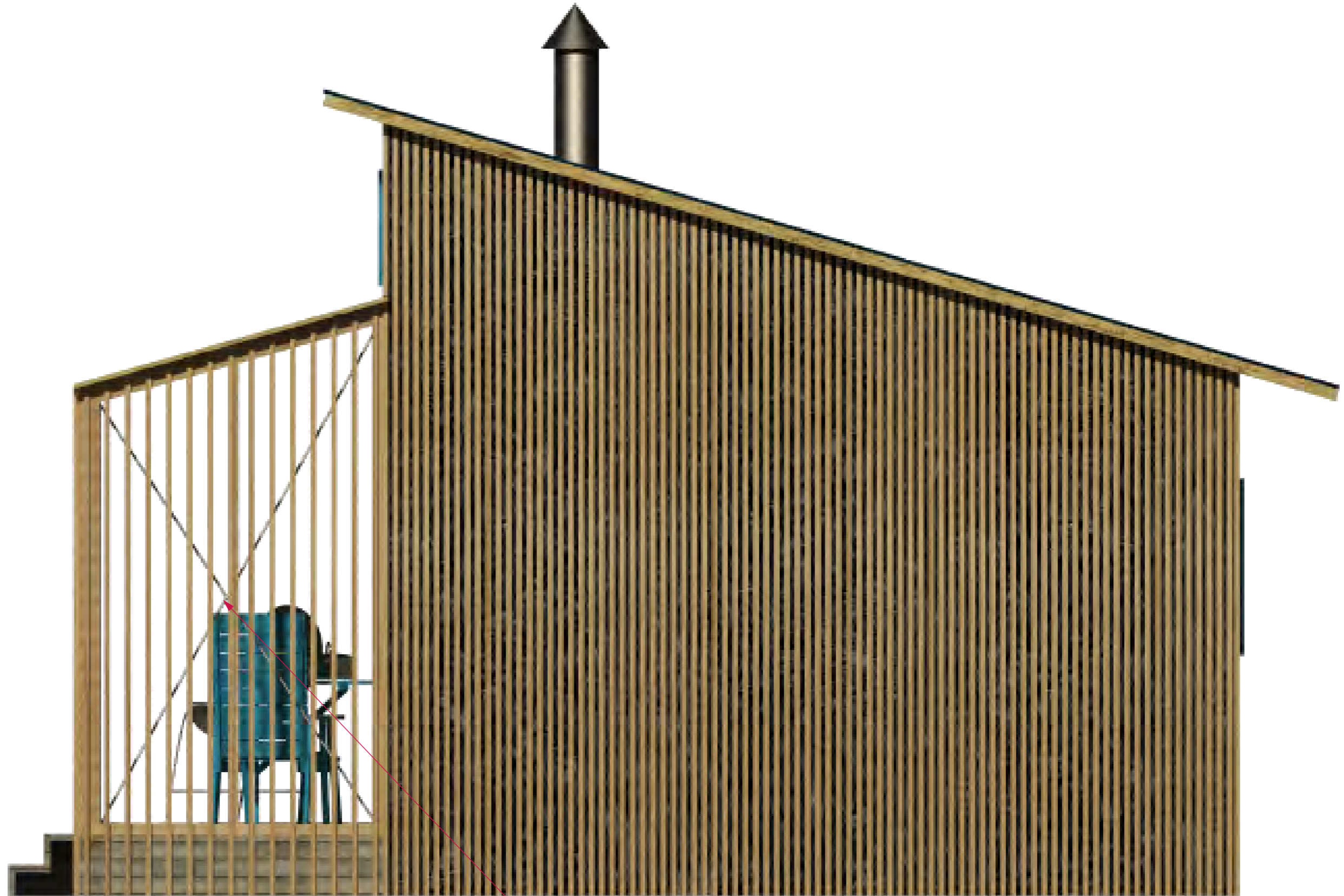
WINDOW 2' 7 1/2" x 2' 7 1/2"



ELEVATION C

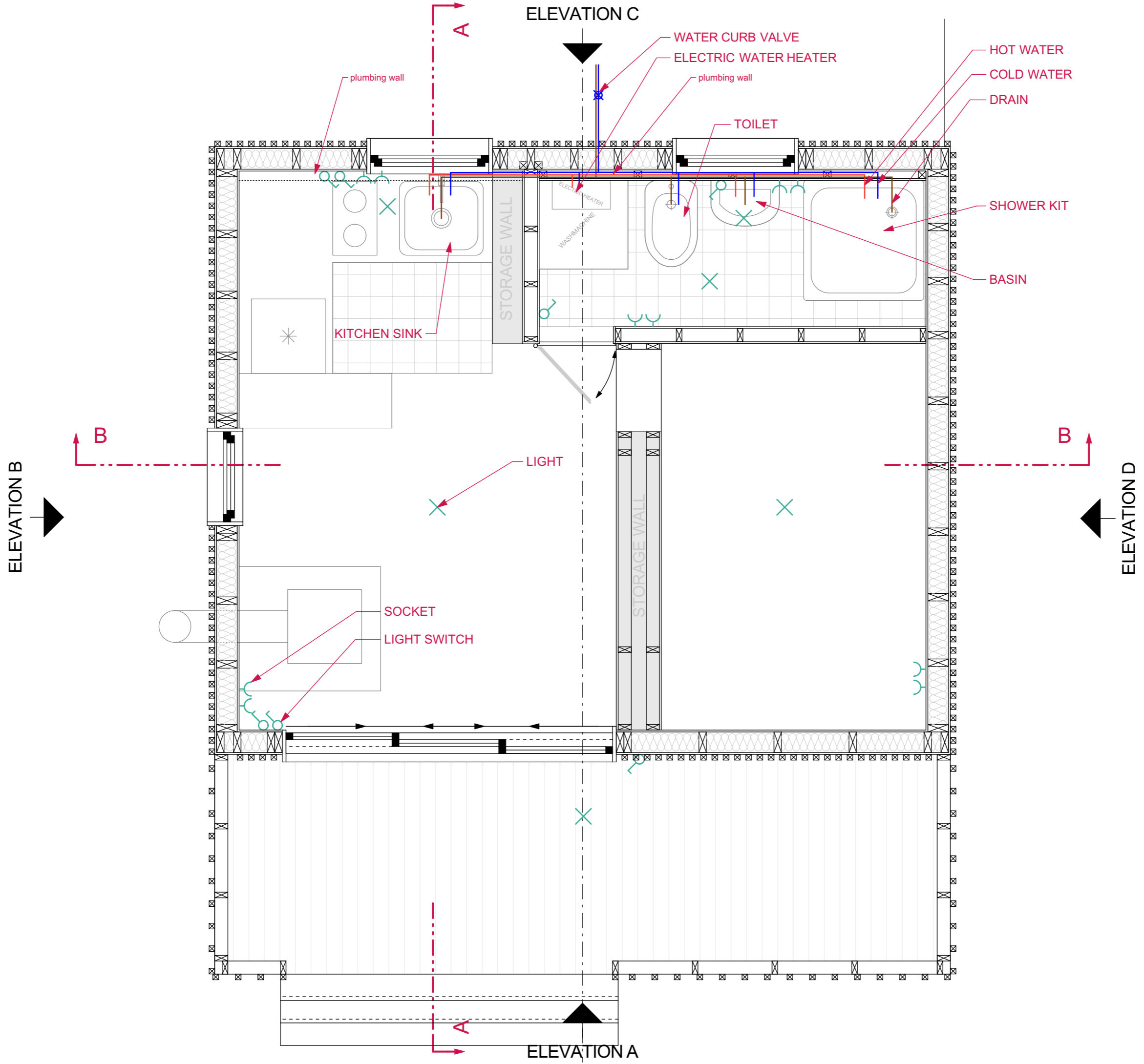
(FREE EDITION)

**PICTA**  
Joshua Woodsman  
www.pictaphotuses.com

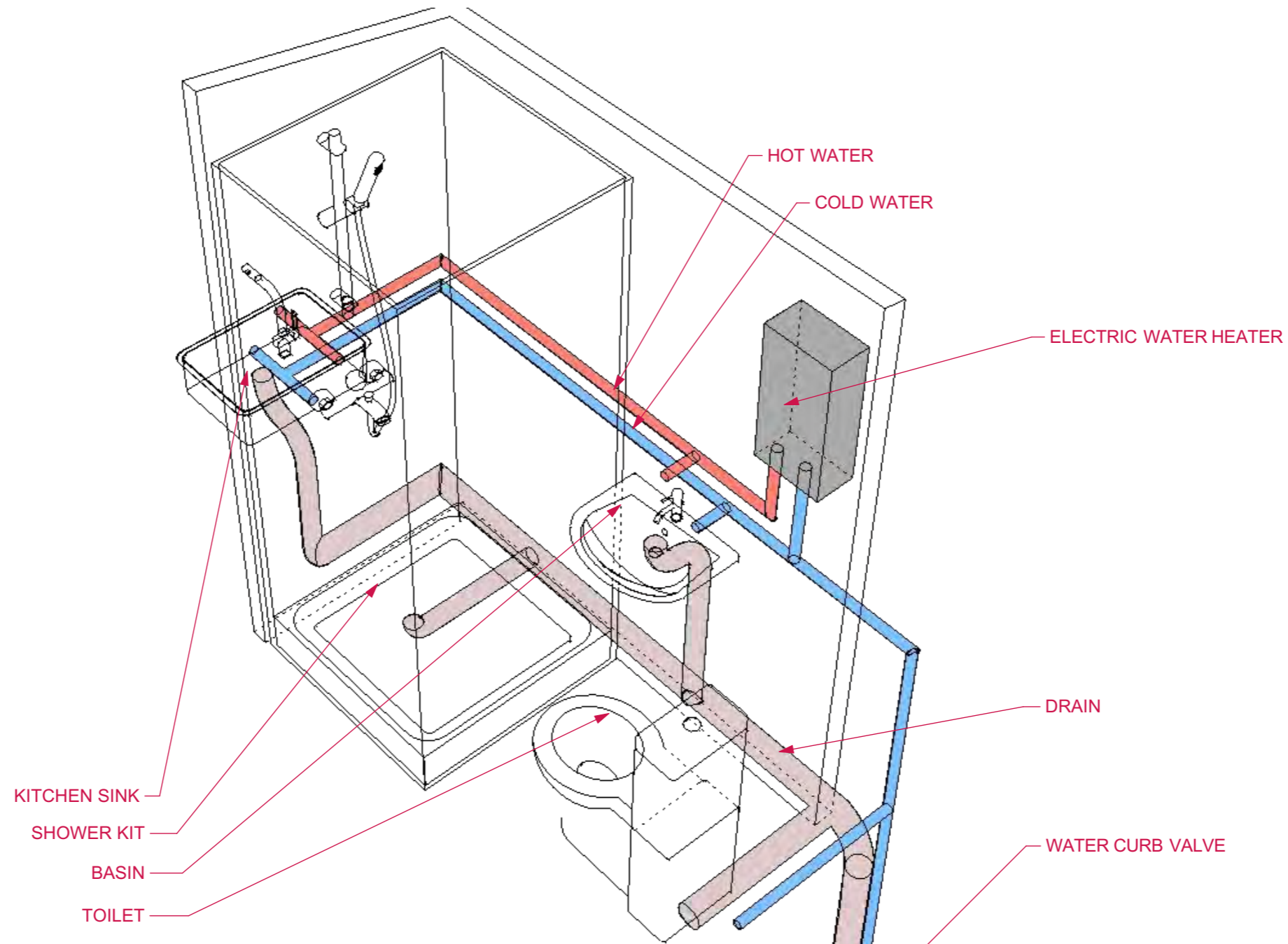


ELEVATION D

— PORCH STEEL BRACING



UTILITIES  
 1:25  
 (FREE EDITION)



**Standard fit corner shower kit**

32" x 32" (800 x 800)

389 USD

link:

<http://www.homedepot.com/p/Unbranded-32-in-x-32-in-x-70-3-4-in-Standard-Fit-Corner-Shower-Kit-401060/100385923>



**Tiny cloakroom basin**

16" x 10" (406 x 254mm)

66 USD

link:<http://www.ebay.co.uk/itm/Small-Compact-Mini-Tiny-Bathroom-Cloakroom-Basin-Sink-Wall-Hung-395-Tap-Waste-/311274372229>

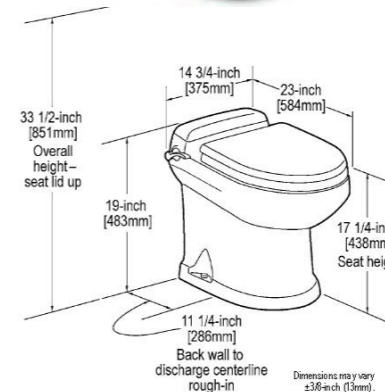


**Toilet**

14" x 23" (356 x 584mm)

570 USD

link:<http://www.pplmotorhomes.com/parts/rv-toilets-tanks/concerto-china-toilets.htm>



**Kitchen sink**

14 3/4" x 12 1/2" (375 x 318mm)

152 USD

link:<http://www.ebay.ie/itm/Small-Bowl-Stainless-Steel-Inset-Kitchen-Sink-Mixer-Tap-Brushed-Set-KST100-bs-/390869438193>

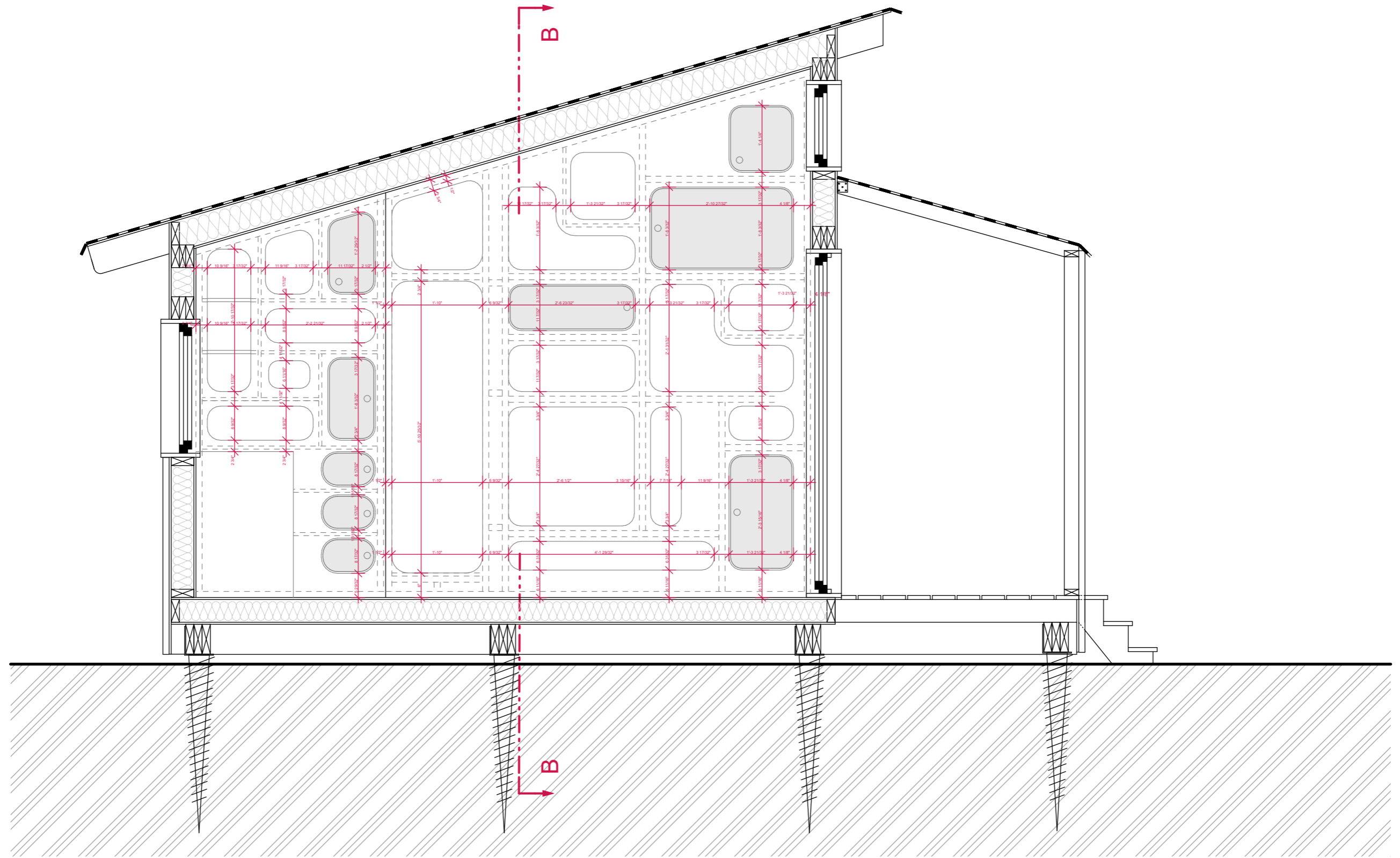


DRAIN & WATER

(FREE EDITION)

**AVITA**

Joshua Woodman  
[www.pitiphotoc.com](http://www.pitiphotoc.com)



PARTITION / SHELVES  
 INCHES  
**1:25**  
 (FREE EDITION)

# Compare our Free vs. Premium plans

*(\*) - Partial dimensions in Free Edition*

Features	Free Edition	Premium Edition
Foundation Plans	✓	✓
Floor Plans	✓	✓
Cross Sections (*)	✓	✓
Elevations (*)	✓	✓
Drain & Water Schema	✓	✓
Electrical Wiring & Installation	✗	✓
Step-by-Step Construction Process	✗	✓
Full Materials & Cutting List	✗	✓
Metal Fasteners & Nails	✗	✓
Tools List	✗	✓
DWG Set of Plans	✗	✓
Technical Support	✗	✓
Plan Modification Services	✗	✓

Check out in detail the benefits of our Premium plans

# The Main Advantages of our Affordable Premium Plans

While our free plans can offer a tempting shortcut, they often fall short of providing enough details required for a smooth construction process. This turns out to be especially true if you are not experienced in construction or the DIY field in general. Let's explain how you can benefit by getting the Premium Plan.

**Close to 75% of our customers are DIY builders**

**What does it mean?**

In our experience, most of them (up to 90%) contact us for tech support and the rest use our plan modification services. So, by looking at the above stats, we may conclude that even with detailed Premium Plans, most DIY builders contact us for help or order additional services. For experienced DIYers, almost any plan, free or not, may work fine. However, a sizable number of them still buy full sets of plans. **Below are the main reasons.**

## **1. Save Time & Money with a List of Materials, Cutting, and Tools**

With a Full Materials & Cutting List, homeowners and contractors can accurately estimate the quantity and cost of materials needed. Naturally, this may reduce the construction budget and prevent wasting materials.

## **2. Save Time with Step-by-Step Guidance**

A Step-by-Step Construction Process guide is an important part of these plans, offering clear instructions for builders at every stage.

## **3. Save Time & Materials with Support and Services**

Premium Plans come with Technical Support to assist you with any questions or challenges that may arise during construction. Plan Modification Services are often needed to tailor the plans to unique site conditions or specific client requirements.

## **4. Metal Fasteners & Nails List = Structural Integrity**

The inclusion of specifications for correct Metal Fasteners & Nails guarantees that the structural components of your building are securely fastened, adhering to safety standards and enhancing the structure's longevity.

## **5. DWG Set of Plans for Flexibility and Customization**

DWG Set of Plans are provided for those who wish to customize their homes using design software. It allows for easy alterations to the original plan to suit personal tastes or accommodate unexpected changes.

## **6. No Costly Corrections due to Detailed Design and Precision**

Full house plans come with PDF drawings that provide a detailed view of every aspect of the home, from Electrical Wiring & Installation to the placement of each nail.

## **Please Note**

**This electronic document is protected by the identifier. Against unauthorized dissemination on the Internet.**

Before building any structure be sure to check with your local authorities. In many communities permits are not needed when building tiny buildings like sheds but the rules range widely so it's best to research your local restrictions before building anything. Also please note that these plans were not prepared by or checked by a licensed engineer and/or architect. Build from these plans at your own risk.